

Service Trolleys

Trolley for GN 1/1 variable height

ITEM # _____

MODEL # _____

NAME # _____

SIS # _____

AIA # _____



361314 (CTRIIVH)

Trolley for 1/1GN container -
adjustable height

Short Form Specification

Item No. _____

Constructed in 304 AISI stainless steel. Framework in mm25 tubing, completely welded. Seamless, sound-absorbing, platform shelf with double-folded edges. Equipped with three-position height adjustable support for 1X1/1GN container. The handle is an extension of the load-bearing frame. N. 4 swivelling castors, two with brakes, mm125 in diameter. Platform size mm550x390. Load capacity: 70 kg.

Main Features

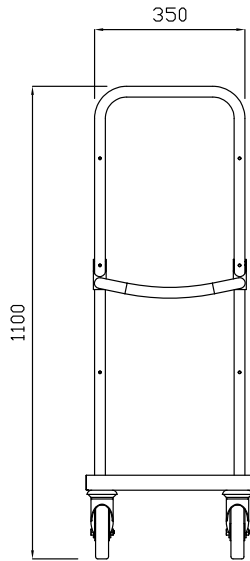
- Framework in 25 mm tubing, completely welded.
- Load capacity of 70 kg uniformly distributed.
- Seamless sound-absorbing platform shelf with double-folded edges welded to the framework.
- Height adjustable support for 1X1/1GN container.
- Platform shelf size 550x390 mm.
- Handle is an extension of the load-bearing frame.
- 4 pivoting Ø 125 mm wheels, 2 of which with brakes, fitted with plastic bumpers

Construction

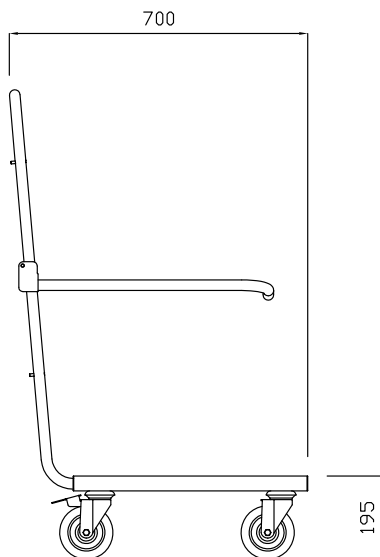
- Constructed entirely in 304 AISI stainless steel.

APPROVAL: _____

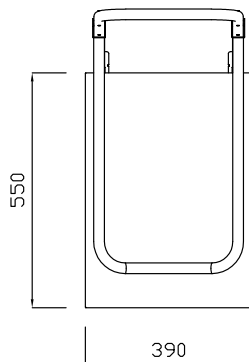
Front



Side



Top



Key Information:

External dimensions, Width:	
361314 (CTR11VH)	700 mm
External dimensions, Depth:	390 mm
External dimensions, Height:	1100 mm
Wheel material:	Zinc plated
Wheel diameter:	Ø 125
Net weight:	15 kg